



**TTR**

THE **ERGOT100**  
SERIES

# ERGIT 100: A NEW TRACTOR CONCEPT

*Antonio Carraro SPA produces specialized tractors for professionals wishing to experience the emotion of owning something unique and precious that is guaranteed by a one-hundred-year-old brand at the cutting-edge of "Italian Style".*



The Ergit 100 series is a new tractor concept. It is the outcome of a construction philosophy based on engineering simplification and the selection of top quality components; factors that allow the company to give these models a 2-year warranty. The care taken in design assures a pleasant and relaxed driving experience. It is not only attractive, but also performance enhancing as it allows for total operator visibility in all directions and ease when working in small spaces. The engines, with power outputs from 70 to 100 hp, offer exceptional torque and power levels combined with lower fuel consumption. The bodywork is painted with environmentally-friendly hydrosoluble enamels. Each technical solution is the result of choices that are based on socio-environmental benefits in terms of reduced pollution and noise levels.



**THE**  
**ERGIT100**  
SERIES





TTR 1000

TTR 10800

NEW SPEED  
CARRIER

# TTR: the extralarge super-specialist



Mountain pastures, hillsides, flat country, sloping vineyards and orchards, embankments, urban parks, sports fields - football, horse-riding and golf, etc. - wherever there are steep slopes or grass cutting to be done, **TTR** is a super-specialist in its category. Its working speed, maneuvering precision and performance on slopes is impressive. TTR's stability is peerless thanks to the width of its wheel track, its very low center of gravity and the 4 equal driving wheels with wide treads, which, together with an exceptionally powerful engine, constant traction and reduced turning radius, allow this vehicle to adapt to all terrains and cope with the steepest of gradient and uneven ground, in all conditions and climates, through the entire year. Its reversible driving system, multi-function joystick and extraordinary visibility highlight its ergonomics, simplify work and reduce operator fatigue.





**DESIGN  
TECHNOLOGY  
INNOVATION**



# MULTI-FUNCTIONALITY: all-in-one

The use of TTR can be changed thanks to the integrated lifting, hydraulic system, and PTO assembly. All of which make it possible to rapidly interchange the towing or frontal equipment that can also be mounted together.



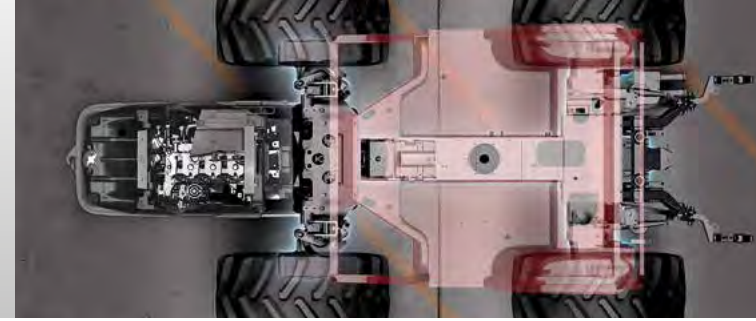
**MANY TRACTORS IN ONE**



Mower, excavator, loader, fork-lift, baler, sower, planter, tiller, reach mower, snow blower and blade, grass cutter, trailer, sprayer and shredder, are just some of the more common implements that can be used with the Ergit 100 series TTR tractors. The tires are interchangeable, as every type of terrain requires its own tire that can optimize tractor performance.

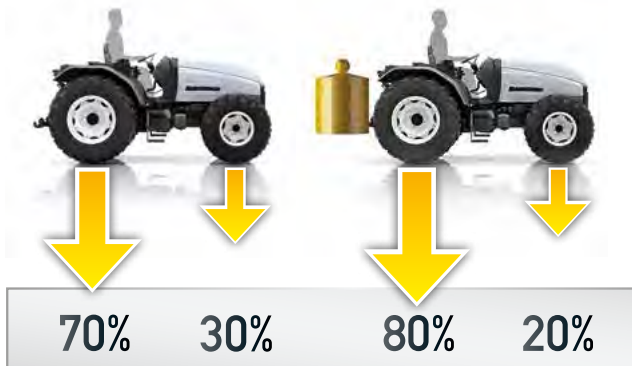


# ACTIO™: the exclusive chassis designed by Antonio Carraro

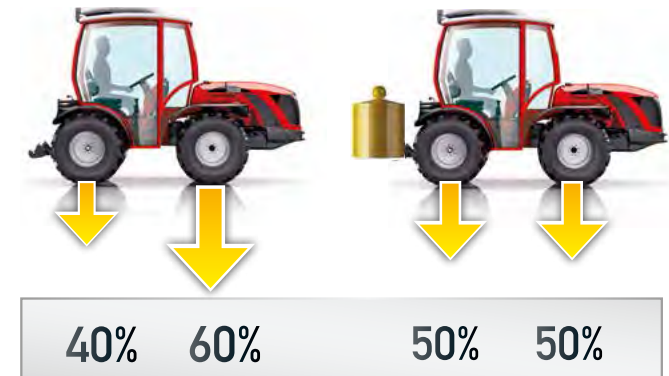


**ACTIO™**, This Full Chassis with Oscillation is comprised of a solid cast-iron chassis fixed to the axles and housing the tractor transmission. It features a central joint with a longitudinal oscillation of up to 15°. The two oscillating ends follow the contour of the terrain independently, thus assuring stability and traction at all times. The constant adherence of the tires to the ground allows engine power to be entirely transferred to the ground, thus increasing performance and safety. The ACTIO™ chassis requires a “projecting” engine configuration in order to assure a low center of gravity and an equal division of the weight of the tractor: 60% on the front axle; 40% on the rear axle. This is an ideal balance with implements attached as it distributes 50% of the weight on each axle.

TRADITIONAL TRACTOR



ACTRATOR



## ACTIO™



- + **Stability:** baricentro basso e 4 ruote motrici
- + **Safety:** peace of mind
- + **Comfort:** driving position centered over chassis oscillation
- + **Agility:** short wheelbase and reduced turning radius
- + **Adherence:** equal division of weight
- + **Traction:** 4 drive wheels always firmly in contact with the ground





# RGS™: two sides of the same coin

**VERSATILITY  
CREATIVITY  
SAVING**

**RGS™ Rev-Guide System**, is the AC reversible driving system on a rotating turret which inverts the driving direction in just a few seconds in order to work efficiently with towed or frontal equipment. Simply turn the seat/steering wheel/dash/pedal assembly 180° for an identical, but reverse, driving direction. If equipped with a Joystick\*, all the auxiliary controls remain in an ergonomic position. The RGS™ system is an integral part of the tractor's multifunctional feature. It simplifies use and improves the precision and quality of performance.



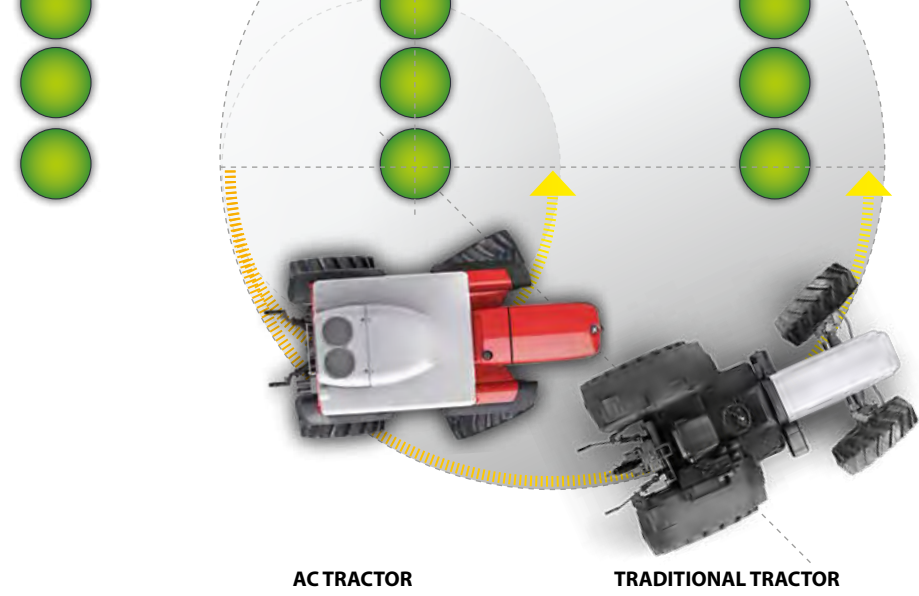
**RGS™**

\*optional



**PLUS**

- + **Comfort:** simple and intuitive RGS™ system without double controls
- + **Visibility of equipment:** driving position in the center of the vehicle, in both directions
- + **Versatility:** greater profitability of tractor



## STEERING: precise and tight

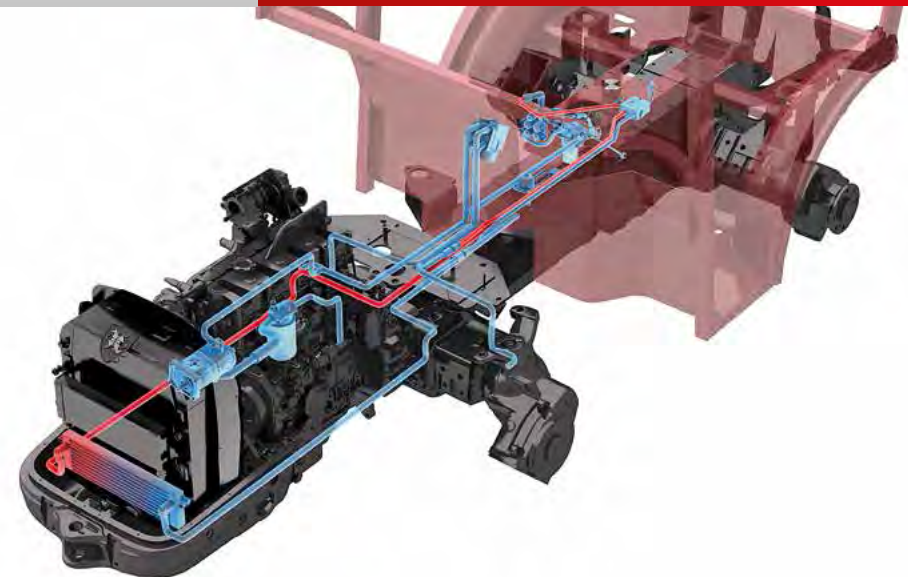
**AGILITY  
RAPIDITY  
PRECISION**

The short wheelbase and tight steering radius make the tractor extremely agile in crop rows. To further reduce the turning radius, the steering brakes can be utilized, while accentuating the “superbend” effect obtained thanks to the double-acting constant velocity joints. The front wheel on the inside of the curve naturally increases the steering angle without the vehicle being allowed to stick. The smooth and sensitive hydroguide steering wheel assures precise maneuvering on steep slopes, in crossways movements, in narrow paths, among crop rows and in car parks.

The hydraulic hydroguide system is independent; powered by its own hydraulic pump and fitted with an oil-filtering system. The minimum internal turning circle is 1900 mm (75 in) while the external is 3500 mm (138 in).



+ *Handiness: comfort*



Low center of gravity, constant contact, stability, efficient braking and protected driving position are just some of the “active” safety features not to mention the “passive” features, such as quality of components, design, and eco-friendly engines. The braking system is comprised of 4 hydraulically-controlled, self-adjusting disc brakes in an oil bath which assures emergency braking modularity and reliability even when the front axle is disengaged. The overall safety of the vehicle has allowed it to be approved for speeds of up to **40 Km/h** (25 mph). The lift features hydropneumatic suspension, which optimizes adherence of the tractor, such that it always stays “glued to the ground”. The vehicle and its equipment follow the contour of the terrain without slipping or sliding sideways, assuring maximum performance. The electro-hydraulically controlled differentials lock at the rear and the front and rear in order to prevent slippage and assure that the tractor tires always have traction. The driving position is located at the center of the vehicle and features chassis with 6 uprights or cab approved to safety standards to ensure maximum operator protection.

40  
Km/h



AC TRACTOR

TRADITIONAL TRACTOR



**SAFETY: active and passive**

# ERGONOMICS & COMFORT

The tapered and racy design helps the tractor to maneuver in fields and increases operator visibility of the equipment and the surrounding terrain. The driving position is particularly large and spacious, and all the controls are arranged in a logical sequence. The operating station is suspended on silent-block, which absorb vibrations and dampen noise.



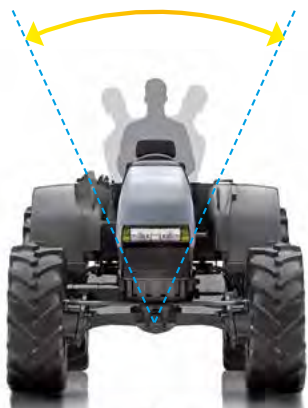
Thanks to the ACTIO™ Chassis, the driving position coincides with the center of oscillation of the tractor. Sideways jerking and stress are very limited and operator fatigue is reduced, even after many hours. The on-board instrumentation is elegant, functional and intuitive: backlit anti-reflection screen for nighttime use; "on-off" information system; digital tachometer and PTO rev counter; and electro-hydraulic pushbutton controls.





AC TRACTOR

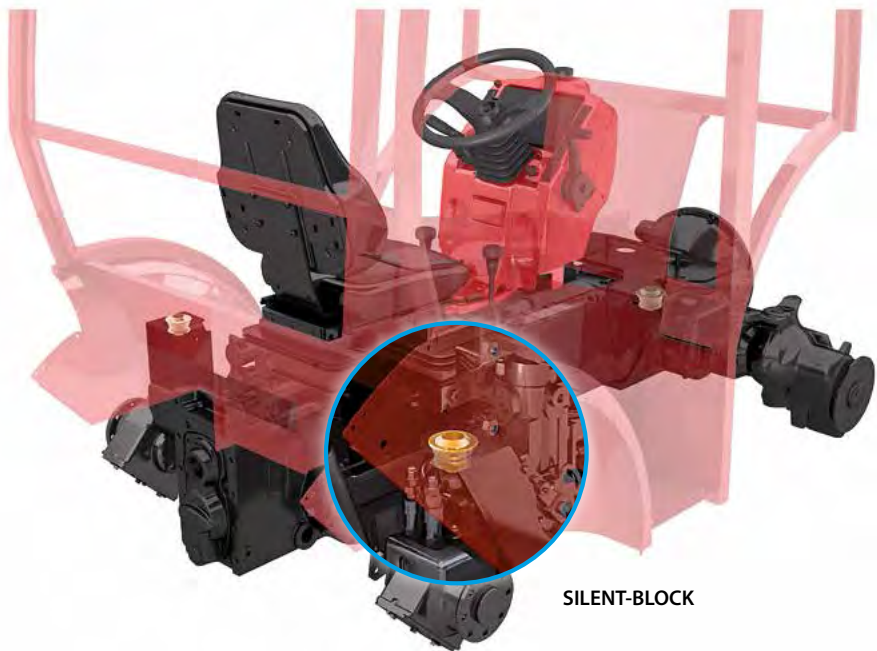
TRADITIONAL TRACTOR



The lighting equipment, integrated into the mudguards, is comprised of reflecting parabolic optical assemblies, which offer a wide range of illumination covering the roadway, the equipment, and the surrounding field. The adjustable steering wheel allows any operator to find his ideal driving position. Maintenance is practical and fast thanks to the fact that the bonnet can be fully opened and the side panels and battery cover can be easily removed.



+ *Efficiency: Reduced fatigue & increased tractor performance*

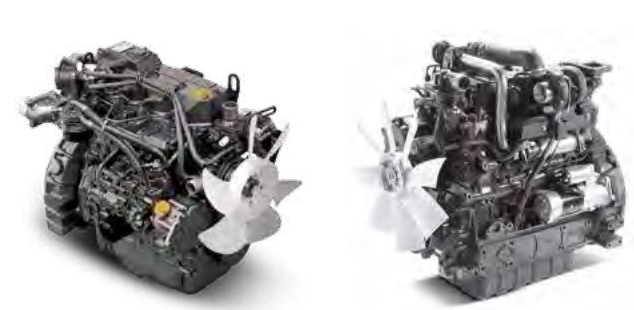


SILENT-BLOCK





TTR 7800	TTR 10900
Diesel direct injection with counter rotating weight system	
Stage 3A emissions regulations	
4 cylinders - 16 Valves	4 cylinders - 16 Valves • Turbo
71 HP	99 HP



## ENGINE: powerful and quiet

The engines are at the top of their category and offer unbeatable torque and power performance as well as lower fuel consumption, lower noise, and lower carbon emissions. All the engines comply with "STAGE 3A" standards which limit the harmful emissions of diesel engines. Thanks to this new generation of engines, the company has achieved new goals in terms of efficiency and cost-effectiveness.

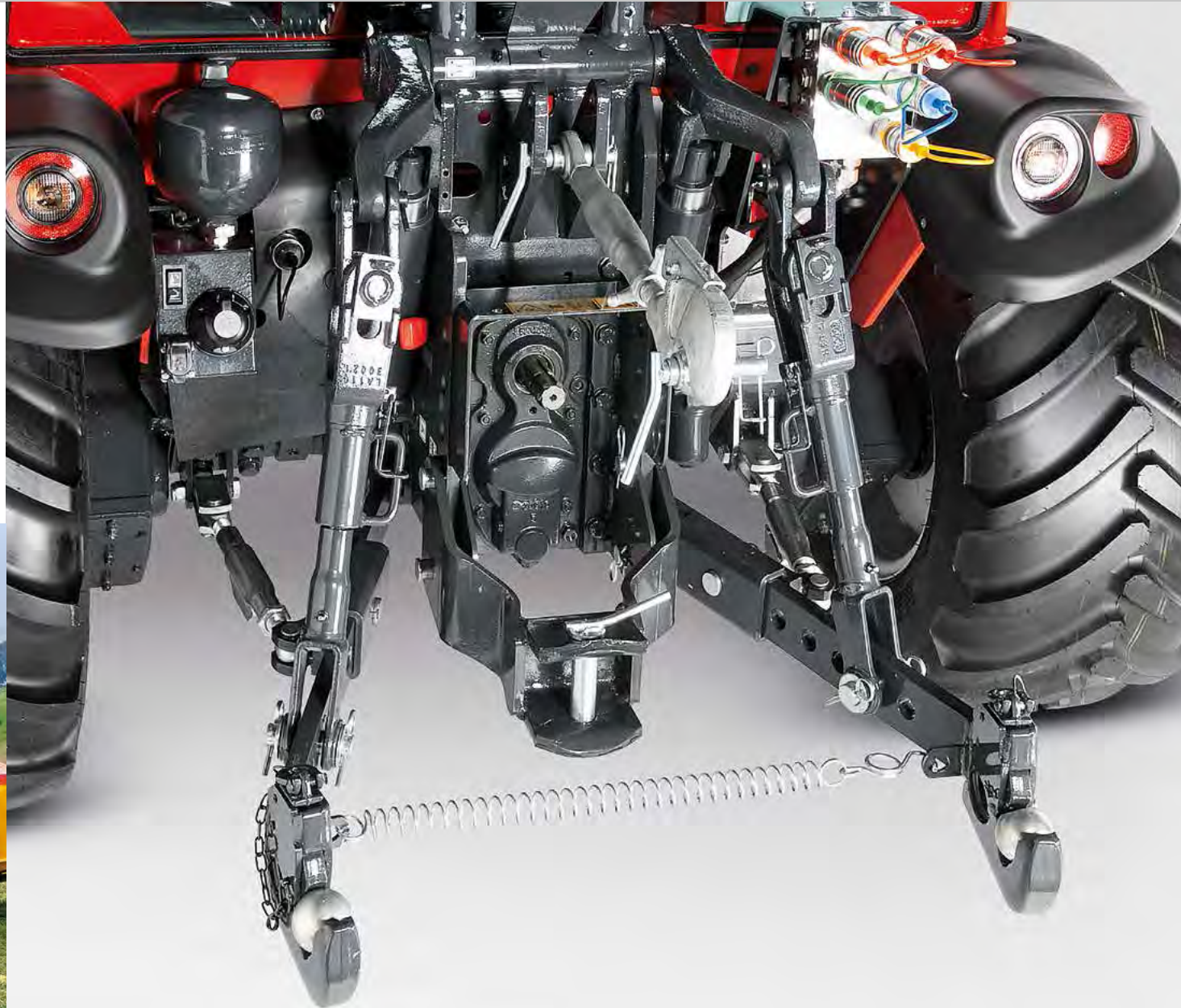


- + **Reliability:** quality of components
- + **Performance:** maximum efficiency
- + **Comfort:** minimum vibrations, noise, and emissions
- + **Saving:**
  - € less maintenance costs
  - € rapid amortisation
  - € lower fuel consumption



# MACHINE AND EQUIPMENT: an integrated technological system

The integrated lifting - hydraulic system - PTO assembly can mount a large variety of implements at both the front and rear. The lift is a single group with vertical cylinders, featuring a 3-point hitch, a pump, and an independent hydraulic system. The lift features hydropneumatic suspension, which optimizes adherence of the tractor, such that it always stays "glued to the ground": machine and equipment follow the contour of the terrain without slipping or sliding sideways, assuring maximum performance.



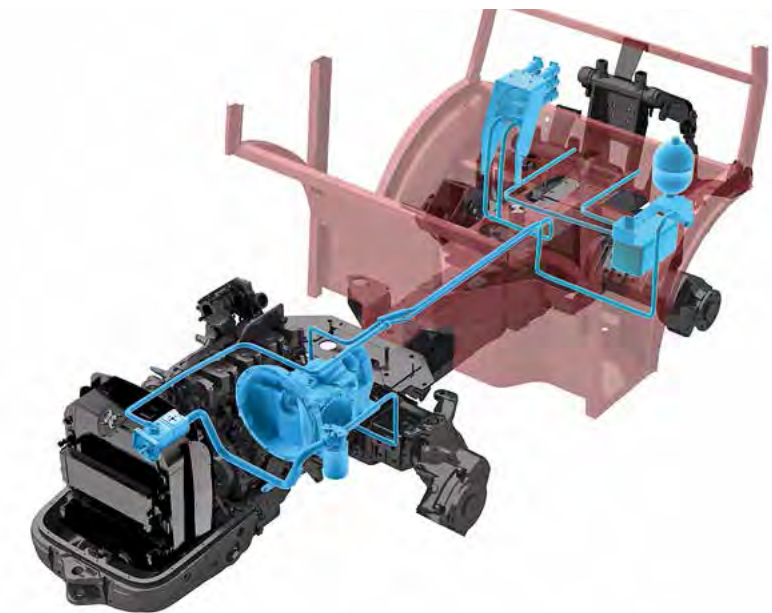


## MACHINE AND EQUIPMENT: an integrated technological system

The front lift\* optimizes combined work such as mower conditioner and rotary cutter, a front snow blade with a rear salt/sand spreader, or a shredder with a between-row mower. The clutch of the PTO with an electro-hydraulic progressive engagement command features a safety button for preventing involuntary starting and stopping the engine with the PTO engaged.



- + **Practicality:** engagement facilitated by the cardan shaft
- + **Two speed PTO :** fuel saving
- + **Comfort:** the PTO can be engaged while the tractor is moving
- + **Efficiency:** less heat build-up
- + **Multifunctionality:** hydraulic engines run at a constant speed
- + **Functionality:** engagement without stalling the engine
- + **Lifetime:** safeguard of PTO shaft
- + **Comfort:** less operator stress







Vertical hydraulic tie-rod and 3-point hitch\* allow adjustments to be made from the driver's seat.



The slider\* tow hook with rapid vertical adjustment, is used to optimize the connection height of the towed equipment.



Hydraulic system with electro-hydraulic control with joystick: 2 double-acting manifolds, 1 single-acting, 1 oil return tap. Total: 6 rear quick-couplers.



Hydropneumatic suspension with automatic pressure control.



Two speed PTO: 540 rpm, 540 E (750 rpm) and synchronized with gear speeds. The PTO shaft of the ASAE 1 3/8 type is the same for all speeds.



The front lift\* optimizes work combined with rear tools.



The front PTO\* (only for the model 7800) 1000 rpm with electro-hydraulic controls and progressive engagement with safety button is maintenance free.



The rear differential lock prevents slipping and optimizes traction. The front traction disengagement is useful when travelling along roads and prevents damage from being done to delicate grounds.

\*optional

# CAB: "Extra Comfort"

This original and approved AC product, with a simple and elegant design, features a totalglass structure offering operators all-round visibility and unbeatable internal luminosity. This particularly spacious and comfortable cab assures maximum protection in the hot and dusty or cold conditions that are typical when cutting grass, maintaining roads or operating on worksites.

The "Extra Comfort" cab minimises noise and vibrations and provides an excellent quality of conditioned air to the operator. The glass surfaces can be opened. The uniform and well-distributed ventilation system gives the operator a sensation of well-being and serenity during work. The cabin is mounted on a platform suspended on silent-blocks.

COMFORT  
VISIBILITY  
SAFETY



The incoming air is cleaned by a large filter, with an available activated carbon filter\*.



Cabin controls (windshield wipers, work lights, rotating beacon) in an ergonomic position, even when reversing.



Easy access to the driving position with all-around visibility.



\*optional



The air-conditioning is achieved by a powerful system running on R134A ecological coolant, which also refreshes the cabin air using a low rev motor. The heating system utilizes a powerful heat-exchanger which is most exceptional even in the coldest weather.



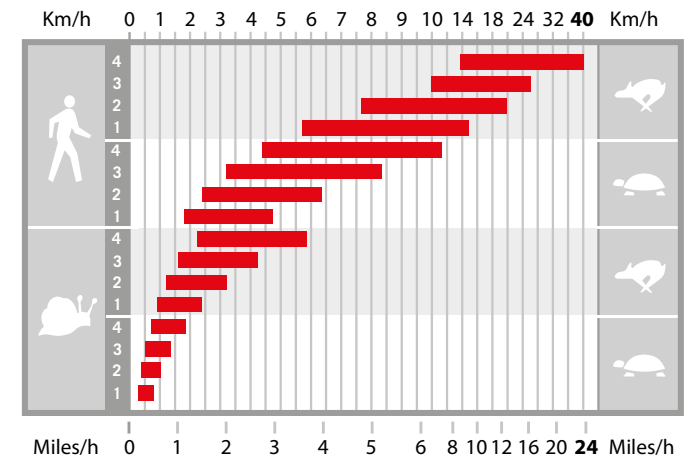
Front and rear working lights assembled in the cab roof and foldable number plate holder.



The panoramic roof with sunblind and full glass doors offer full top and side visibility.



# TRANSMISSION AND GEARS: many speeds in a logical sequence



The tractors in the Ergit 100 series utilize large, extraordinarily reliable, smooth engaging clutches that do not require adjustment thanks to the hydraulic control, which recovers the play caused by wear over time. The gear has a helical profile: 32 speeds, 16 FW and 16 RV, with a synchronized inverter that can be engaged even when the tractor is moving. The small gap between one gear and the next assures operative continuity in all circumstances.

The electro-hydraulically controlled HI-LO\* system can be engaged while the tractor is moving at any speed and can reduce the selected speed by 20%, thus obtaining a range of 32+32 speeds. It is comprised of two clutch packs, with sintered disks in an oil bath. The electro-hydraulic engagement of one clutch automatically disengages the other, as it is mechanically activated by a series of springs. This technical solution prevents the tractor from going into neutral with the engine switched off.



- + **Reliability:** long lifetime of the clutch
- + **Efficiency:** wide range of speeds
- + **Comfort:** smooth engagement without jerking the engine
- + **Saving:** lower fuel consumption and reduced running costs



#### ***e-DRIVE RANGE SHIFTING\****

The driver can shift through the speed ranges comfortably and without effort at the simple touch of a button.

## ***e-DRIVE TRANSMISSION: maximum ease of driving***

The new transmission houses the *e-DRIVE* system complete with synchronizer assembly, servo controls and range shift and reverse shuttle control unit.



#### ***e-DRIVE REVERSE SHUTTLE\****

The *e-DRIVE* reverse shuttle with control lever under the steering wheel comes in handy for operations involving back and forth movements in rapid succession, such as loading and unloading of material with forklifts, loaders or snow blades. The driver is assisted by an electronic system, which enables him to operate the tractor under the safest conditions without ever taking his hands off the steering wheel.

\*optional



# MULTIFUNCTIONAL JOYSTICK: all functions at your fingertips

## Multifunction Joystick

The Joystick is mounted standard on the right-hand reclining armrest of the driving seat. It allows operators to control all the functions of the single lift assembly and of the auxiliary hydraulic system using just one hand. The equipment raises, lowers and moves from side to side delicately and precisely.



PLUS

- + *Ergonomic*: handy to use
- + *Comfort*: stress-free operation
- + *Saving*: reduction in cycle times



**GOVERNANCE  
YIELD  
HANDY**

## Hydropneumatic suspension

TTR has a maximum lifting capacity of 2400 Kg. The “hydropneumatic” suspension (transferring the weight of the equipment to the tractor tires) optimises the distribution of the weight of the tractor and equipment on all 4 wheels, as determined by the ACTIO™ chassis. It also keeps the weight of the equipment constant on the ground, regardless of the gradient, the difficulty of the terrain and the forward speed.

## Auxiliary Hydraulic System

The Joystick is used to control all the hydraulic functions of the front and rear take-offs; it determines the continuous flow position for the use of hydraulic motors; it manages the single-acting manifold or the optional front lift, if fitted. The “push-pull” hydraulic take-off system facilitates rapid tool connection. Using equipment, such as the rear power shovel, loader, lift, baler, self-loading trailer and the like, the operator can work without having to remove his hand from the joystick which is fitted with a safety system to prevent accidental engagements and disengagements.



# OPTIONAL



## **BULLBAR**

Tubular steel guard protecting the bodywork; integrates the third-point for the front lift.



## **FRONT LIFT**

Used together with the bullbar, it allows all the frontal equipment to be used with multiple hydraulic connectors.



## **FRONT PTO**

The front PTO (1000 rpm) with electro-hydraulic controls and progressive engagement with safety button is maintenance free (only for the model 7800).



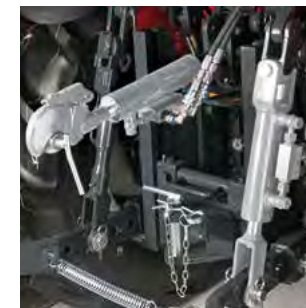
## **HEADLIGHT GRILLES**

Protecting the light assemblies, they also make the bodywork look more appealing.



## **SLIDER HOOK**

Integrated into the rear lift, it gives the operator various options for the practical setting up of the tractor and the rapid alignment of the towed equipment.



## **VERTICAL TIE-ROD AND HYDRAULIC THIRD-POINT**

Optimizes the positioning and inclination of the equipment.



## **FRONT BALLAST**

Perfectly integrated into the bodywork of the tractor; it does not alter the wheelbase or dimensions of the tractor.



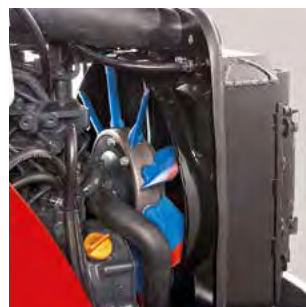
## **QUICK COUPLERS**

Front lift with 1 double-acting manifold replicated at the rear. Total: 2 quick couplers.



## **HI-LO**

HI-LO system which can be electro-hydraulically engaged when loaded thus reducing set speeds by 20% (64 speeds, 32 forward and 32 reverse).



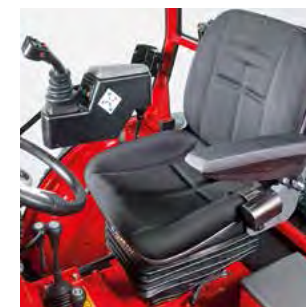
## **CLEAN FIX™ system**

Reverse flow fan that assures the constant cleaning and efficiency of the radiator and of the front grille of the bonnet.



## **ESC (Electronic Speed Control)**

Electronic and automatic speed and engine rev control device. It memorises and modulates the tractor speed at the operator's discretion (only for the model 7800).



## **PNEUMATIC SEAT**

Latest generation air-suspension seat.

# SAT: Customer Service Team

## Antonio Carraro® Original Spare Parts and Assistance

The AC dealer network utilizes modern equipment and instruments that have been especially designed and built for maintenance work on AC tractors. The technicians at every authorised dealership periodically attend technical training courses at the Parent Company's facilities. Each authorised workshop employs highly qualified staff and provides an extensive range of services in order to offer its Customers maximum peace of mind and total protection. AC dealers can give their Customers information on all the services related to the care of AC tractors.



### EXG MAXIMUM PROTECTION: 4 years without worries!

As a proof of its reliability, Antonio Carraro offers, in addition to its two-year standard warranty, an extension of warranty coverage up to three or four years, called **EXG Maximum Protection**. At the time of purchase or within the first 24 months of the tractor's life (during which all scheduled maintenance services must be performed as recommended in the AC Use and Maintenance Manual), Customers may apply for either a three- or four-year extended warranty, according to their needs. Whatever coverage they choose, Customers are recommended to have all-service performed at any of the **authorised locations of our global dealer network**, where repairs will be carried out by highly qualified personnel using only **AC Original Spare Parts**. In case of sale of the tractor, the warranty coverage may be transferred to the new owner.

### After-sales service

Thanks to the capillary network of dealers and the competence of the Service Managers, the Parent Company can assure all-around skills. With the right maintenance work, every AC tractor will continue to provide excellent performance throughout its operating lifetime.



RICAMBI ORIGINALI  
GENUINE SPARE PARTS



### Original Antonio Carraro Spare Parts

Original Antonio Carraro Spare Parts is a registered trademark. The elevated standards of design and the stringent tests carried out during the entire production process assure maximum quality levels. With Original AC Spare Parts, Customers can be certain of maintaining tractor performance unaltered over time, thus preserving the safety and the value of the tractor.







# TECHNICAL DATA: TTR



Model	TTR 7800	TTR 10900
<b>Chassis</b>	"ACTIO™" – Full chassis with oscillation • Reversibility RGS™ • Steering wheels • 4 equal wheel drive • Front and rear final drive	
<b>Engine Type</b>	Diesel direct injection with counter rotating weight system	
Emissions Regulations	Stage 3A	Stage 3A
N° Cylinders	4-16 Valves	4 - 16 Valves - Turbo
Displacement (CC)	3319	3769
Power kW/HP (97/68/CE)	52/71	73/99
Maximum engine revs	2500	2600
Torque max (Nm/revs)	236/1600	320/1600
Cooling	Water	Water
Tank Capacity (litres/gal):	60/15.85	60/15.85
<b>Transmission</b>	Synchronized 32 speed gear box: 16 forward and 16 reverse with synchronized inverter	
<b>PTO</b>	Rear, independent and synchronized at 540/540E rpm with progressive electrohydraulic engagement	
Shaft	Profile 1" 3/8 with 6 splines with facilitated engagement	
<b>Transmission clutch</b>	Hydraulic control	
<b>Drive disengagement</b>	Electrohydraulic control on the front	
<b>Rear hydraulic lift</b>	With hydropneumatic suspension, joystick and 3-point hitch	
Operating Pressure (bar/psi)	160/2320	
Capacity (Kg/lbs)	2400/5291	
<b>Steering</b>	Hydraulic with 2 pistons	
<b>Brakes</b>	Standard: hydraulic front and rear disk brakes in oil bath, rear steering brakes Independent emergency and parking brake: band type on transmission	
<b>Platform</b>	Mounted on Silent Block with safety frame	
<b>Weight</b> in order of speed:		
With frame (Kg/lbs)	2150÷2340 / 4740÷5159	2150÷2340 / 4740÷5159
With cab (Kg/lbs)	2280÷2470 / 5026÷5445	2280÷2470 / 5026÷5445

## Standard Features

Reversible control tower • Rear or front/rear differential lock with electrohydraulic control • Hydraulic system with 2 separate hydraulic pumps • Adjustable steering wheel • Adjustable lifting arms with quick release couplings • Adjustable, suspension seat with safety belt • Rear hydraulic system with electro-hydraulic control with joystick: 2 double-acting manifolds, 1 single-acting, 1 oil return tap. Total: 6 rear quick-couplers • Rear adjustable height tow hitch • Front tow hitch • Multifunctional digital instrument Km/h and PTO • Battery • Battery isolation switch • Electrical power point • Safety starting device on the inverter and PTO

## Optional Features

Electrohydraulic *e-DRIVE* transmission with reverse shuttle under the steering wheel and range shift • HI-LO system which can be electro-hydraulically engaged when loaded thus reducing set speeds by 20% (64 speeds, 32 forward and 32 reverse) • Extra Comfort cab with air conditioning system suspended on Silent Blocks • Support with 4 front ballast weights • Hydraulic third hitch and vertical tie-rod with electro-hydraulic control • Front power lift • Front PTO 1000 rpm with electrohydraulic control (only for the model 7800) • Pneumatic suspension seat with height regulation and automatic driver-weight adjustment • Slider tow hitch • Front bullbar • Front lamp guards • Clean FIX™ > reverse flow fan for constant cleaning of the radiator and of the front grille of the bonnet • ESC > Electronic Speed Control: electronic and automatic speed and engine rev control device. It memorises and modulates the tractor speed at the operator's discretion (only for the model 7800) • "Superbrake" system



# DIMENSIONS TTR



	<b>31x15.50-15 Terra</b>	<b>340/65 R18</b>	<b>400/55-17.5 Terra Twin</b>	<b>440/50 R17 All-Ground</b>	<b>425/55 R17 AC 70 C</b>
<b>E</b>	395	340	400	440	425

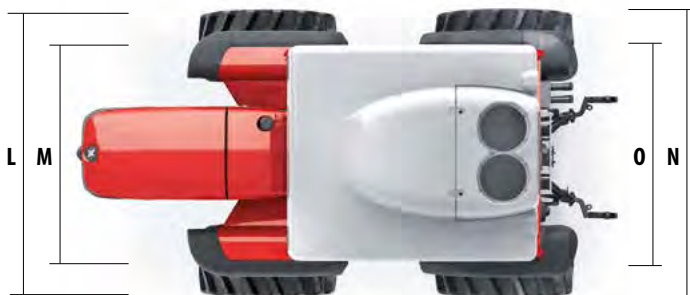
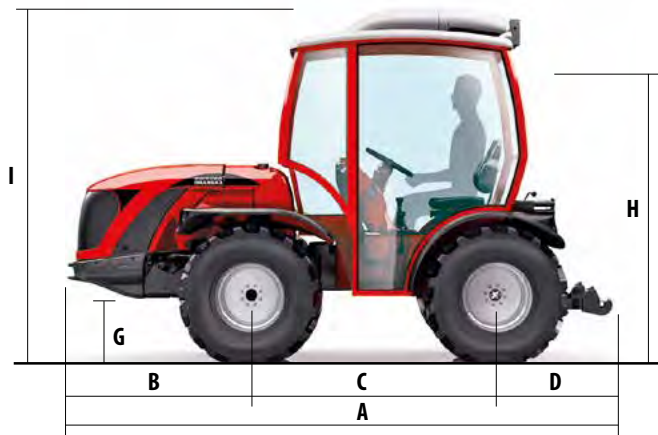
## Wheels

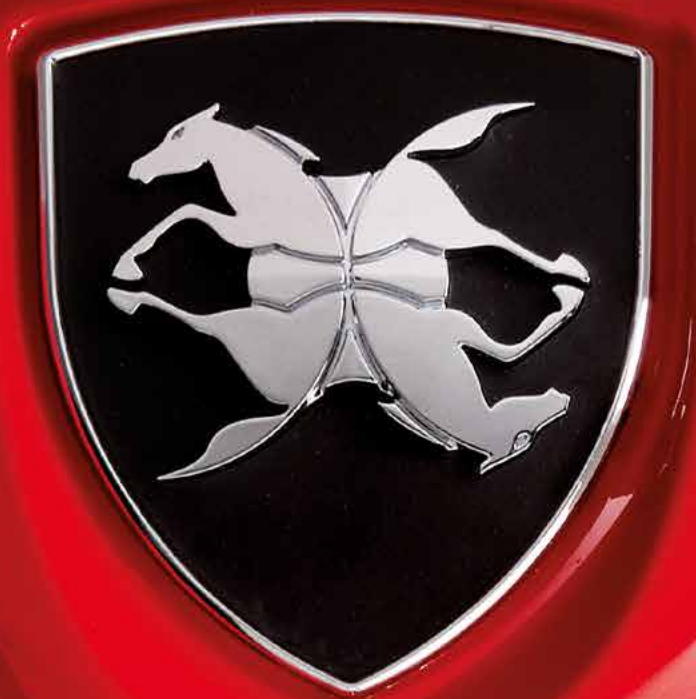
## Dimensions (mm/inch)

Front/Rear	A	B	C	D	F	G	H**	I	L*	M	N*	O
<b>31x15.50-15 Terra</b>	3500÷3650	1220	1530	750÷900	2085	310	1865	2215	1835	1440	1835	1440
<b>340/65 R18</b>	3500÷3650	1220	1530	750÷900	2130	355	1910	2260	1740	1400	1740	1400
<b>400/55-17.5 Terra Twin</b>	3500÷3650	1220	1530	750÷900	2120	345	1900	2250	1830	1430	1830	1430
<b>440/50 R17 All-Ground</b>	3500÷3650	1220	1530	750÷900	2130	355	1910	2260	1820	1390	1900	1470
<b>425/55 R17 AC 70 G</b>	3500÷3650	1220	1530	750÷900	2130	355	1910	2260	1815	1390	1895	1470

\*Min. external width

\*\*Height calculated with the operator of average height sitting (cm/in 175/68,9)





DEALER:



**ANTONIO CARRARO SPA**  
Via Caltana, 24  
35011 Campodarsego Padova ITALY  
info@antoniocarraro.it  
antoniocarraro.com